

MDX88500
Combined Telephone and 2GHz Coax Distribution

I N S T A L L A T I O N G U I D E

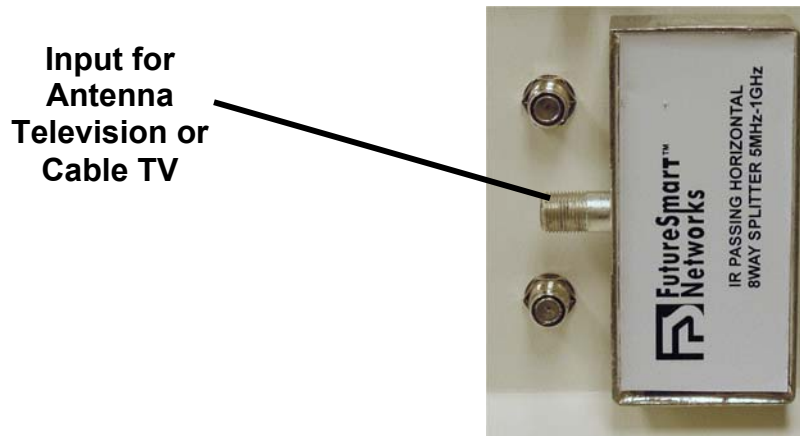
12382 South Gateway Park Place, 700, Draper, UT 84020
1.801.617.3100
www.futuresmart.com

The FutureSmart Coax and Telephone Distribution Module provides distribution of one incoming coax signal (TV or Cable TV) to 8 locations and 2 Satellite TV signals to 2 locations, and 4 incoming telephone lines to 8 locations. Please be sure to review this installation guide carefully prior to installation.

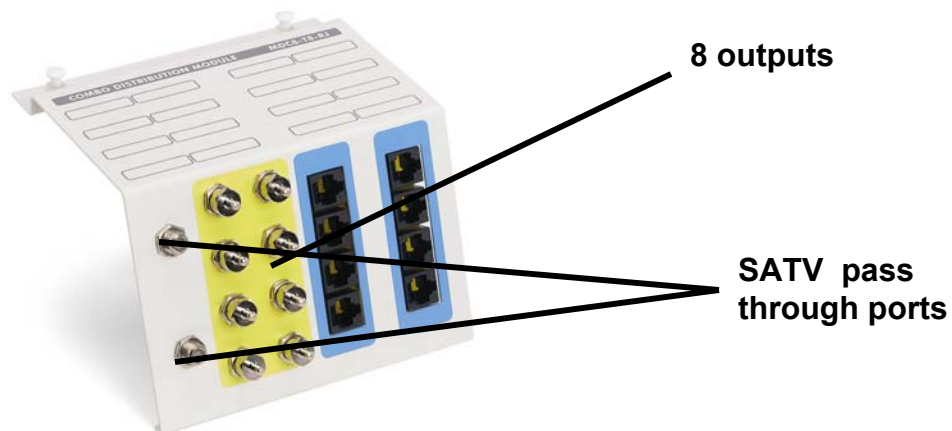
Installing the Coax and Telephone Distribution Module

Connecting TV, and Cable TV

1. Run a RG6 coax cable from the video source (antenna or Cable TV) to the coax and telephone distribution module.
2. Connect the RG6 coax cable to the coax input on the underside of the module to either the single port of the 2GHz 8-way splitter.

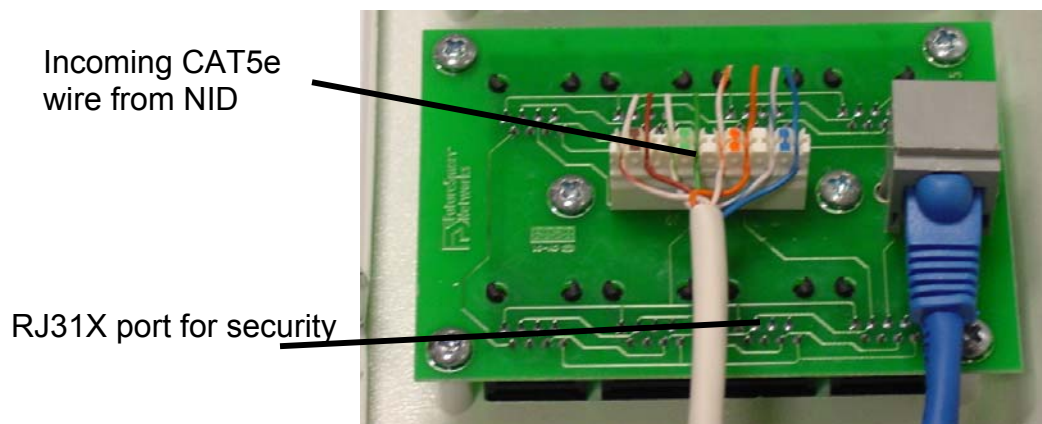


1. Connect the RG6 coax cable running to the rooms (premise wiring) to the eight outputs on the front of the coax and telephone distribution module.



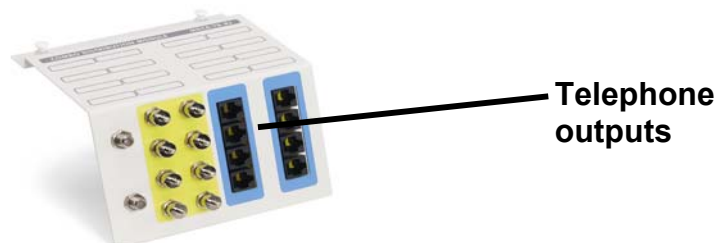
Installing Telephone lines

1. Run a CAT5e twisted pair cable from the NID (network interface device). This is a box installed by the phone company on the side of the home to the coax and telephone distribution module.
2. Identify the CAT5e wire running from the module to each of the rooms (premise wiring) and remove 2 inches of the outer PVC jacket from the end, exposing the 4 pairs.
3. Terminate each of the premise wires with an RJ45 Modular Telephone Plug using the 569A termination.
4. Terminate the incoming CAT5e wire from the NID to the 110-style punch down block on the rear of the module . If you are also installing a security system, you can use the RJ31X port on the underside of the module to connect the security system.



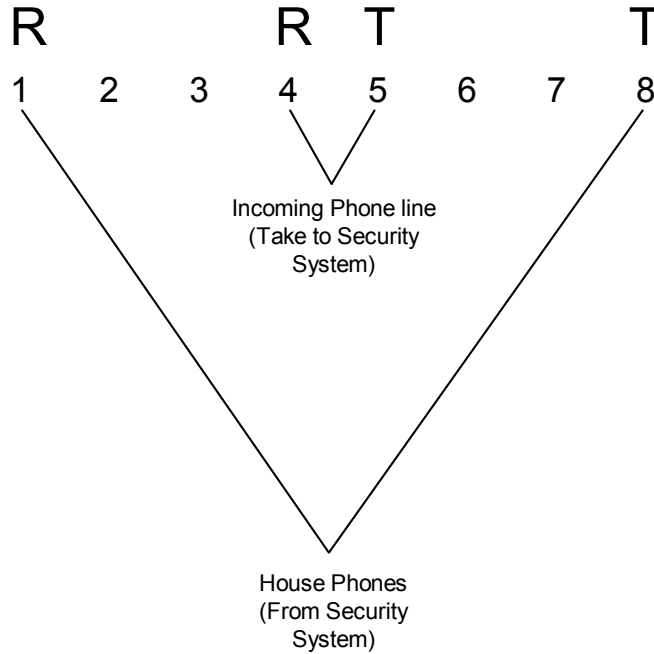
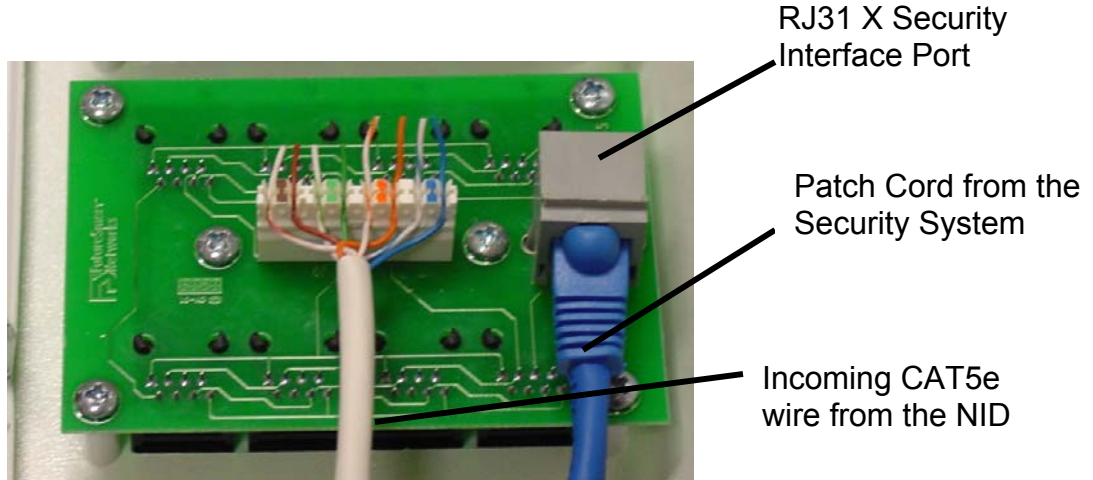
***Note: Make sure that the Tip and Ring is connected to the 110 punch down correctly. In most cases the Blue/White is first and then the White/Blue. Follow the same pattern with the remaining colors. The Tip & Ring is important so that the RJ31x port will work properly.**

5. Plug the premise wiring into the RJ45 ports on the front of the module. If you are using a MDP-3 patch module, then use a patch cord to patch from the telephone outputs to the zones on the MDP-3 patch module.



Installing the module with a Security System

1. After phone service has been connected to the module, run a CAT5 patch cord from the RJ31x port to the security system and cut the RJ45 connector off at the Sec. system end. Use the diagram below to connect the phone service to the security system and to bring to back to the module.



RJ31x layout